



Rockford Sanitary Systems, Inc.

ROCKFORD, IL 61125-0963

(815) 229-5077 - (800) 747-5077 - FAX (815) 229-5108

WEB SITE-www.rkfdseparators.com E MAIL-rssem@rkfdseparators.com

MODEL NO. G-2635-DOSS

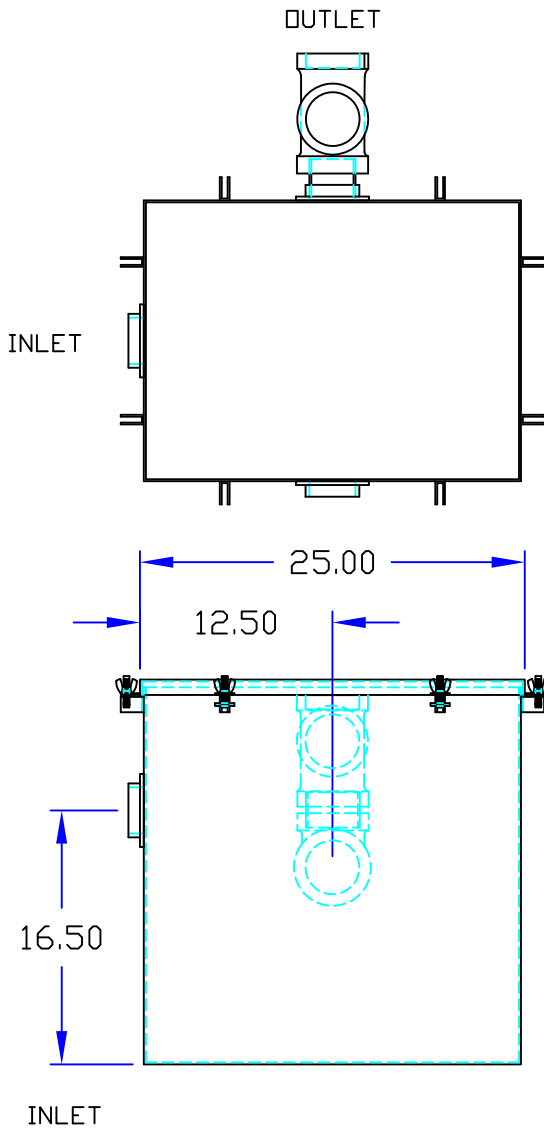
GREASE SEPARATOR

DRAWN BY

QUOTE #

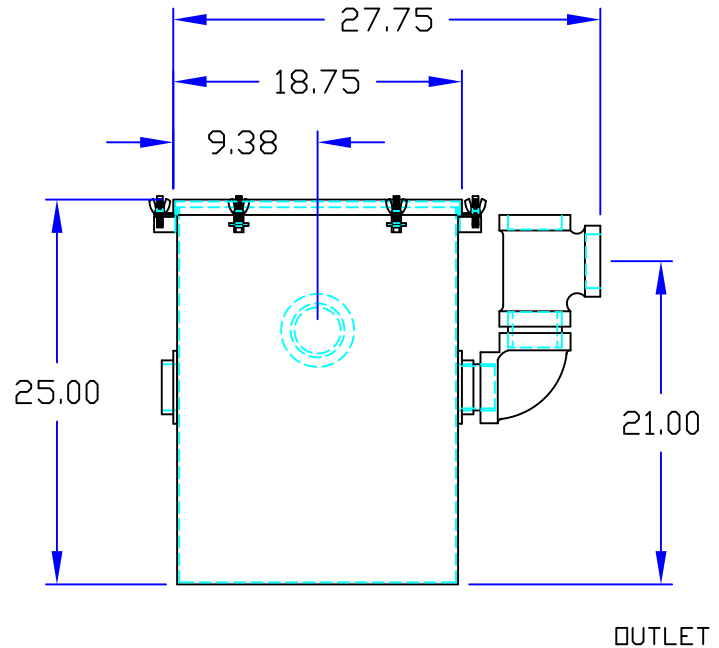
JOB NAME

W.R.W.



OPTIONAL FEATURES (ADDITIONAL COST)

- EPOXY COATING
- STAINLESS STEEL CONSTRUCTION
- SEDIMENT BASKET FILTER MEDIA
- DRAW OFF VALVE
- ALTERNATE INLET & OUTLET SIZE _____ INCHES
- CAST IRON OUTLET FITTINGS
- PVC OUTLET FITTINGS
- 2 OPTIONAL OUTLET LOCATIONS



Specifications

Rockford Model G-2635-DO all welded 304 stainless separator for on the floor (or partially recessed) installation, 35 g.p.m. intermittent flow, 3.00" tapped inlet and outlet connection, 202 lbs. greasy sludge capacity, visible double-wall outside trap seal, easily removable filter screen and separator screen, gasketed cover hand tightened to body with safety catch bolt assemblies,

Optional features (Additional cost) listed above



Approved By

Company

Date