



Rockford Sanitary Systems, Inc.

ROCKFORD, IL 61125-0963

(815) 229-5077 - (800) 747-5077 - FAX (815) 229-5108

WEB SITE-www.rkfdseparators.com E MAIL-rssem@rkfdseparators.com

MODEL NO. G-2635-DOX2

GREASE SEPARATOR

DRAWN BY

QUOTE #

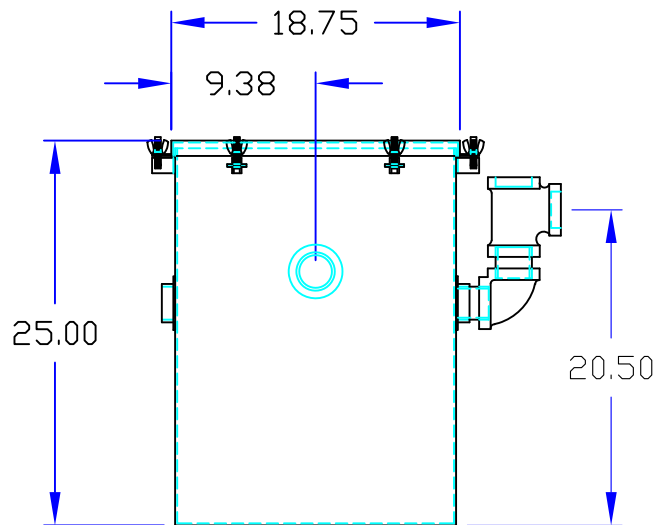
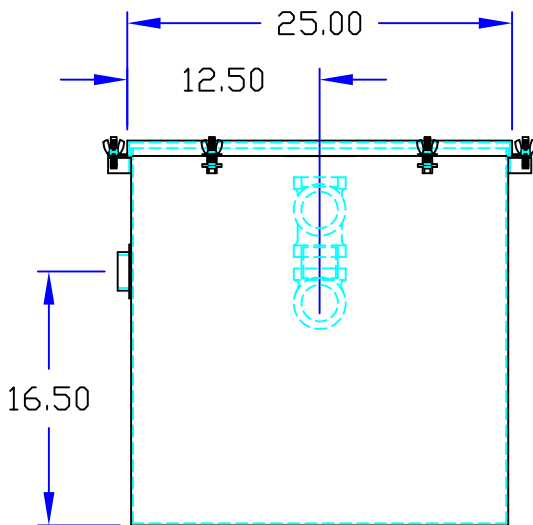
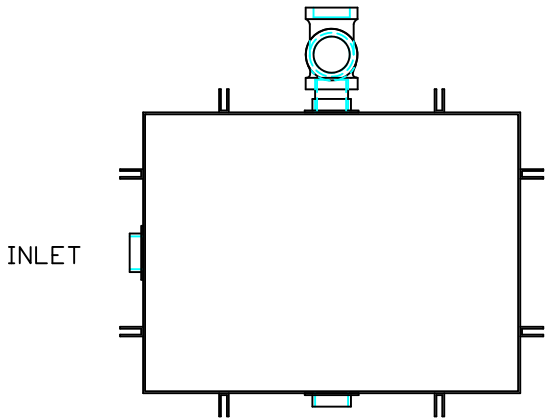
JOB NAME

W.R.W.

OUTLET

OPTIONAL FEATURES (ADDITIONAL COST)

- EPOXY COATING
- STAINLESS STEEL CONSTRUCTION
- SEDIMENT BASKET FILTER MEDIA
- DRAW OFF VALVE
- ALTERNATE INLET & OUTLET SIZE 2.00 INCHES
- CAST IRON OUTLET FITTINGS
- PVC OUTLET FITTINGS
- 2 OPTIONAL OUTLET LOCATIONS



INLET

OUTLET

Specifications

Rockford Model G-2635-DOX2 all welded 10 Ga. steel separator for on the floor (or partially recessed) installation, 35 g.p.m. intermittent flow, 2.00" tapped inlet and outlet connection, 202 lbs. greasy sludge capacity, visible double-wall outside trap seal, easily removable filter screen and separator screen, gasketed cover hand tightened to body with safety catch bolt assemblies, enamel coated inside & outside.

Optional features (Additional cost) listed above



Approved By

Company

Date