



Rockford Sanitary Systems, Inc.

ROCKFORD, IL 61125-0963

(815) 229-5077 - (800) 747-5077 - FAX (815) 229-5108

WEB SITE-www.rkfdseparators.com E MAIL-rssem@rkfdseparators.com

MODEL NO. GF-2824-DO

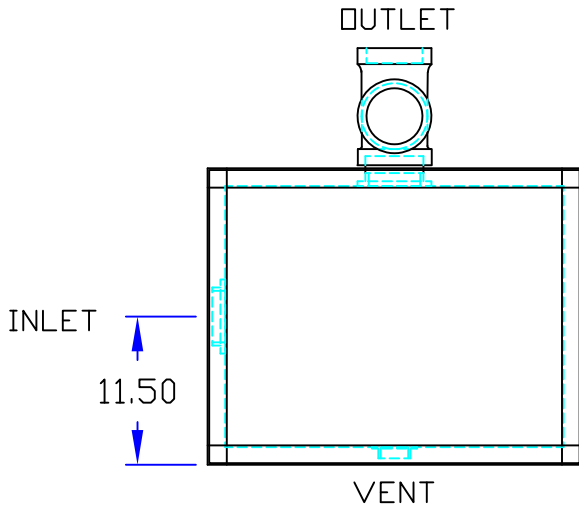
GREASE SEPARATOR

DRAWN BY

QUOTE #

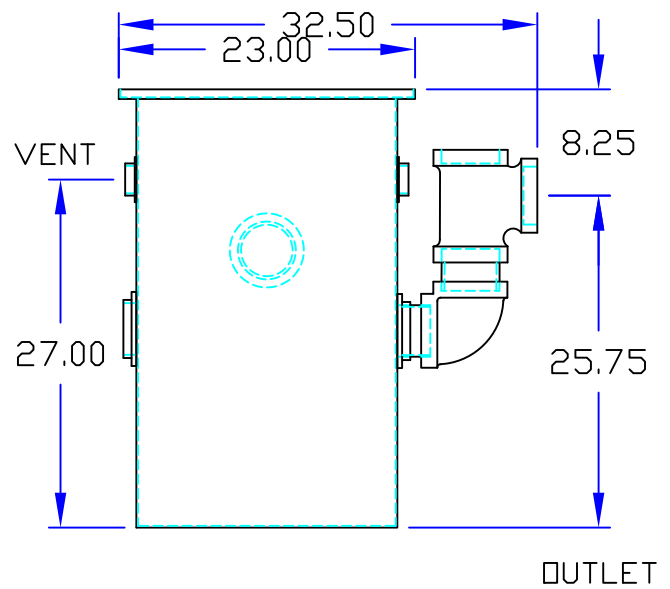
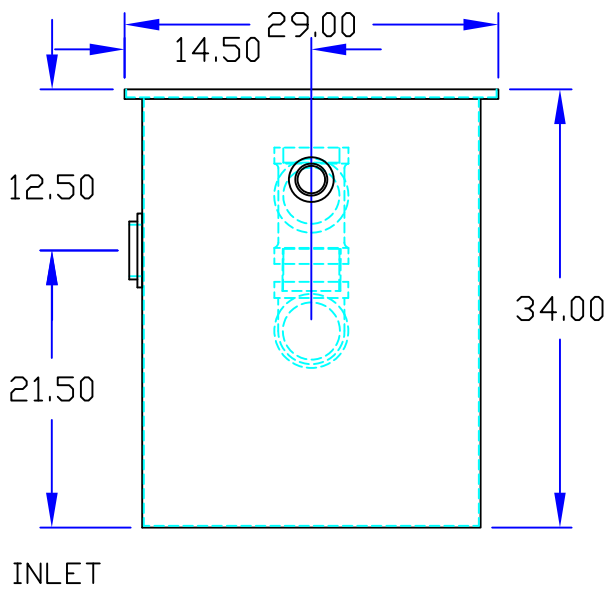
JOB NAME

W.R.W.



OPTIONAL FEATURES (ADDITIONAL COST)

- ANCHOR FLANGE
- RECESSED LIFT HANDLES IN COVERS
- EPOXY COATING
- REINFORCED COVER
- ALUMINUM COVER
- STAINLESS STEEL CONSTRUCTION
- SEDIMENT BASKET
- INTEGRAL EXTENSION 3.00 INCHES
- ALTERNATE VENT TAPPING SIZE _____ INCHES
- ALTERNATE INLET & OUTLET SIZE _____ INCHES
- 2 OPTIONAL OUTLET LOCATIONS
- CLAMP RING
- ANODES
- FILTER MEDIA



Specifications

Rockford Model GF-2824-DO all welded 10ga steel separator, 54 gallon static capacity, 40 gpm intermittent flow, 4" threaded in/out with 2" threaded vent, 272 lbs greasy sludge capacity, visible double wall outside trap seal, easily removable filter screen, .37" nonskid cover for flush with floor installation suitable for pedestrian traffic secured with ss screws and heavy duty gasket, PEX shop coat inside and bituminous coating outside.

Optional features (Additional cost) listed above



Approved By

Company

Date