



Rockford Sanitary Systems, Inc.

ROCKFORD, IL 61125-0963

(815) 229-5077 - (800) 747-5077 - FAX (815) 229-5108

WEB SITE-www.rkfdseparators.com E MAIL-rssem@rkfdseparators.com

MODEL NO. RP-50SSX3

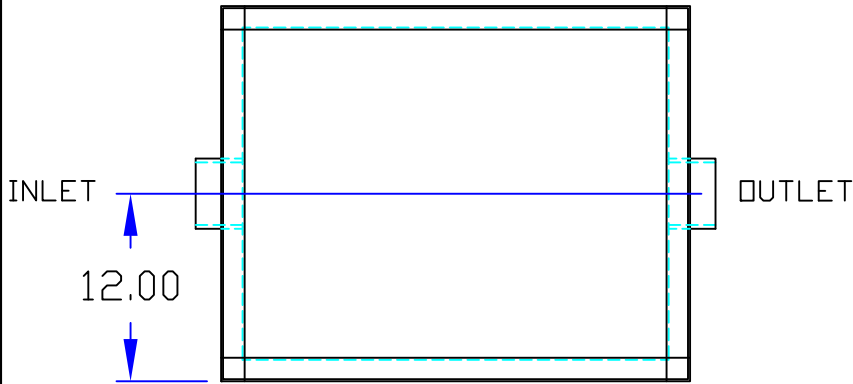
GREASE INTERCEPTOR

DRAWN BY

QUOTE #

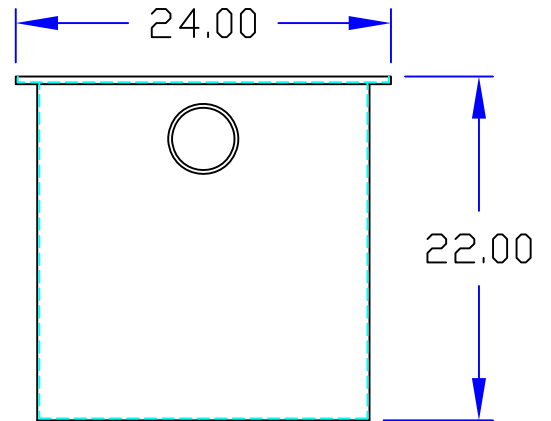
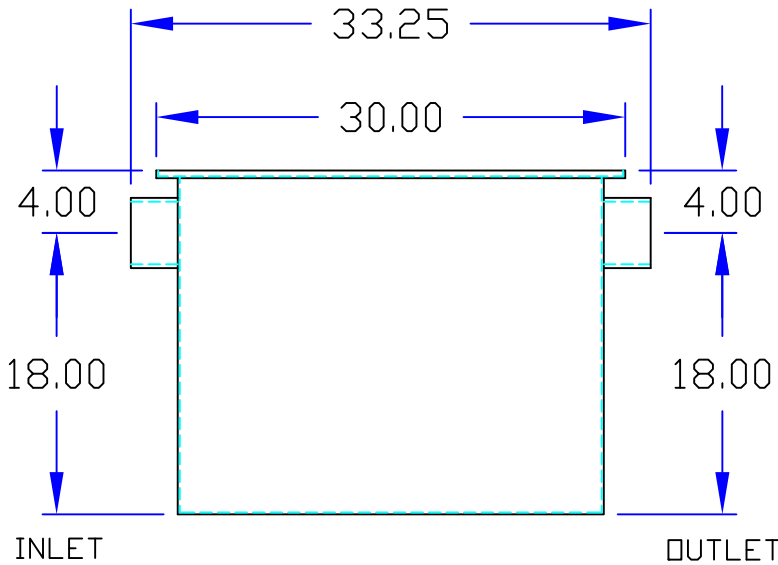
JOB NAME

W.R.W.



OPTIONAL FEATURES (ADDITIONAL COST)

- ANCHOR FLANGE WITH CLAMP DEVICE
- EPOXY COATING
- STAINLESS STEEL CONSTRUCTION
- INTEGRAL EXTENSION _____ INCHES
- INLET & OUTLET SIZE 3.00 INCHES
- STAINLESS COVER
- THREADED CONNECTIONS
- RECESSED LIFT HANDLE



Specifications

Rockford Model RP-50 all 304 stainless interceptor, for on the floor or flush with the floor installation, 50 g.p.m. intermittent flow, 201 lbs. grease capacity, 3.00" no-hub inlet and outlet connections and flow control device, removable 3/16" nonskid diamond threadplate cover for on the floor or flush with floor installation suitable for pedestrian traffic, secured with stainless steel flat head screws, heavy duty leak-proof gasket. Unit comes standard with internal trap seal and air bypass.

Optional features (Additional cost) listed above

Approved By

Company

Date